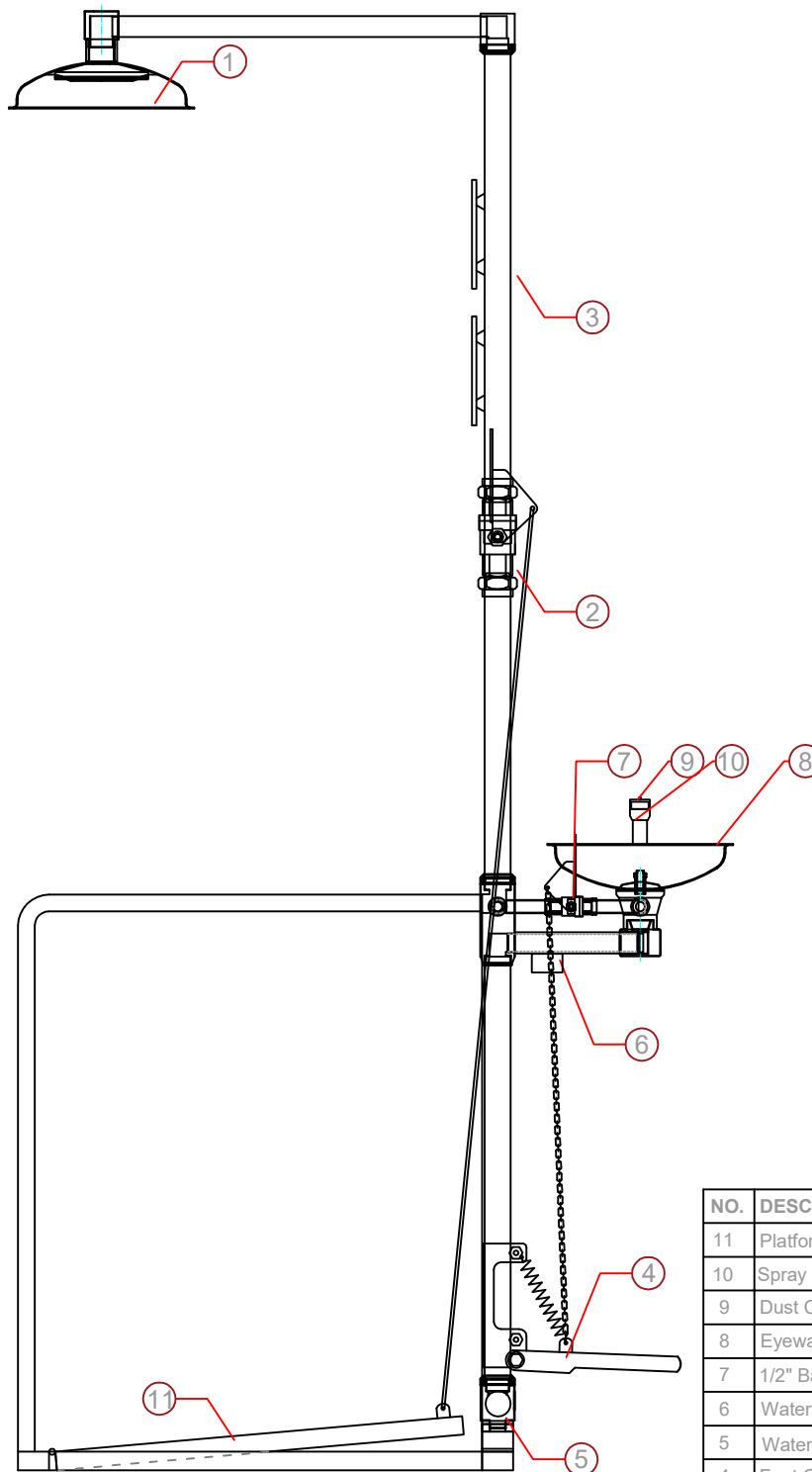


COMBINET UNIT PEDESTAL TYPE WITH PLATFORM



Standarts: EN 15154-1, EN 15154-2
ANSI/ISEA Z358.1-2014
Water Flow: 11,5 lt / min for Eyewash
75 lt / min for Shower

Static test pressure : 7 bar
Min using pressure : 1,4 bar
Max using pressure : 2,8 bar

NO.	DESCRIPTION	NOTES
11	Platform control for Shower	Stainless Steel 304/316
10	Spray Nozzles	Brass
9	Dust Cover on Eyewash Spray	Plastic
8	Eyewash Bowl (Ø300mm)	Stainless Steel 304/316
7	1/2" Ball Valve	Stainless Steel 304/316
6	Water Outlet 1"	Stainless Steel 304/316
5	Water Inlet 1"	Stainless Steel 304/316
4	Foot Control for Eyewash	Stainless Steel 304/316
3	Pipes	Stainless Steel 304/316
2	1" Ball Valve	Stainless Steel 304/316
1	Shower head Bowl (Ø300mm)	Stainless Steel 304/316

IST	REV.	DATE	DESCRIPTION	DESIGNED	CHECKED	APPROVED		
	A		FIRST ISSUE	SS	FA	ST		
STATUS	FOR INFORMATION	<input type="checkbox"/>	FOR RFQ/DESIGN	<input checked="" type="checkbox"/>	DESIGNED	ORIGINAL EDITION	SIZE	SCALE
	FOR REVIEW	<input type="checkbox"/>			SS	✓	A4	1/100
	FOR APPROVAL	<input type="checkbox"/>			FA	✓		
					ST	✓		

CUSTOMER	
PRODUCT	
15035000	
DRAWING NUMBER/DATE:	DRAWING NAME:
3716/1	Combined Unit, ISTEK Type ESW Pedestal Type With Platform
SHEET: 1	OF: 1